

OLYMPIAN™

Exclusively from your Caterpillar® dealer



Enclosure pictured may include optional accessories

SOUND ATTENUATED ENCLOSURES

26-200 kVA, 50 Hz

34-200 kVA, 60 Hz

These fully weatherproof sound attenuated enclosures are a result of continuing research and development by our specialist acoustic engineers. These enclosures reduce sound levels to comply with the stage 2 levels of the European Community Directive 2000/14/EC which became effective 3 January 2006.

The enclosures incorporate internally mounted exhaust silencers and are of extremely rugged construction to withstand the rough handling common on many construction sites. They are designed on modular principles with many interchangeable components permitting on-site repair.

FEATURES

ROBUST/HIGHLY CORROSION RESISTANT CONSTRUCTION

- Stainless steel locks and hinges
- Zinc plated or stainless steel fasteners
- Enclosure made from galvanized steel*

EXCELLENT ACCESS FOR MAINTENANCE

- Full length extra wide doors on each side
- Doors top hung and supported by gas struts*
- Radiator fill access plate
- Lube oil and cooling water drains piped to exterior of the enclosure

SECURITY AND SAFETY

- Control panel viewing window in a lockable access door
- Emergency stop button mounted on enclosure exterior
- Cooling fan and battery charging alternator fully guarded
- Fuel fill and battery can only be reached via lockable access doors
- Exhaust silencing system totally enclosed for operator safety

TRANSPORTABILITY

- Tested and certified single point lifting facility
- Lifting points on baseframe

*Except on GEP200-2

SOUND PRESSURE LEVELS (dBA)

Generating Set Model	Duty	50 Hz						60 Hz					
		15 m		7 m		1 m		15 m		7 m		1 m	
		75% Load	100% Load	75% Load	100% Load	75% Load	100% Load	75% Load	100% Load	75% Load	100% Load	75% Load	100% Load
GEP26SP1	Prime	61.7	62.7	67.7	68.7	79.0	80.0	63.4	64.3	69.4	70.3	80.6	81.9
	Standby	61.9	63.1	67.9	69.1	79.3	80.4	63.7	64.8	69.7	70.8	81.0	82.5
GEP26SP2	Prime	61.5	64.3	67.5	70.3	78.7	82.1	-	-	-	-	-	-
	Standby	62.1	65.5	68.1	71.5	79.5	83.4	-	-	-	-	-	-
GEP35SP2	Prime	60.1	60.8	66.1	66.8	77.0	77.5	-	-	-	-	-	-
	Standby	60.3	61.2	66.3	67.2	77.2	77.7	-	-	-	-	-	-
GEP35SP5	Prime	63.7	63.6	69.7	69.6	79.8	79.7	66.1	66.3	72.1	72.3	81.9	82.1
	Standby	63.7	63.4	69.7	69.4	79.8	79.6	66.2	66.4	72.2	72.4	82.0	82.1
GEP44SP1	Prime	63.9	64.6	69.9	70.6	80.9	81.5	66.9	67.3	72.9	73.3	83.5	83.9
	Standby	64.1	64.9	70.1	70.9	81.0	81.8	67.0	67.4	73.0	73.4	83.6	84.1
GEP44SP2	Prime	60.5	60.6	66.5	66.6	77.5	77.6	-	-	-	-	-	-
	Standby	60.5	60.8	66.5	66.8	77.5	77.7	-	-	-	-	-	-
GEP50SP2	Prime	60.5	60.8	66.5	66.8	77.5	77.7	-	-	-	-	-	-
	Standby	60.6	61.0	66.6	67.0	77.6	77.8	-	-	-	-	-	-
GEP50SP5	Prime	63.9	64.6	69.9	70.6	80.9	81.5	66.9	67.3	72.9	73.3	83.5	83.9
	Standby	64.4	65.4	70.4	71.4	81.3	82.2	67.2	67.7	73.2	73.7	83.8	84.2
GEP64SP1	Prime	63.2	64.0	69.2	70.0	79.7	80.8	66.4	67.5	72.4	73.5	82.6	84.0
	Standby	63.4	64.5	69.4	70.5	80.0	81.4	66.7	68.2	72.7	74.2	83.0	84.8
GEP64SP2	Prime	62.5	62.9	68.5	68.9	79.7	80.0	-	-	-	-	-	-
	Standby	62.6	63.1	68.6	69.1	79.8	80.1	-	-	-	-	-	-
GEP80SP2	Prime	62.8	63.4	68.8	69.4	79.9	80.4	64.2	65.0	70.2	71.0	81.1	82.2
	Standby	63.0	63.7	69.0	69.7	80.0	80.7	64.4	65.7	70.4	71.7	81.4	82.8
GEP105SP1	Prime	62.4	62.9	68.4	68.9	80.0	80.1	62.2	66.7	72.2	72.7	83.9	84.3
	Standby	62.6	63.1	68.6	69.1	80.0	80.1	66.4	66.8	72.4	72.8	84.0	84.4

Levels in accordance with European Noise Directive (2000/14/EC)

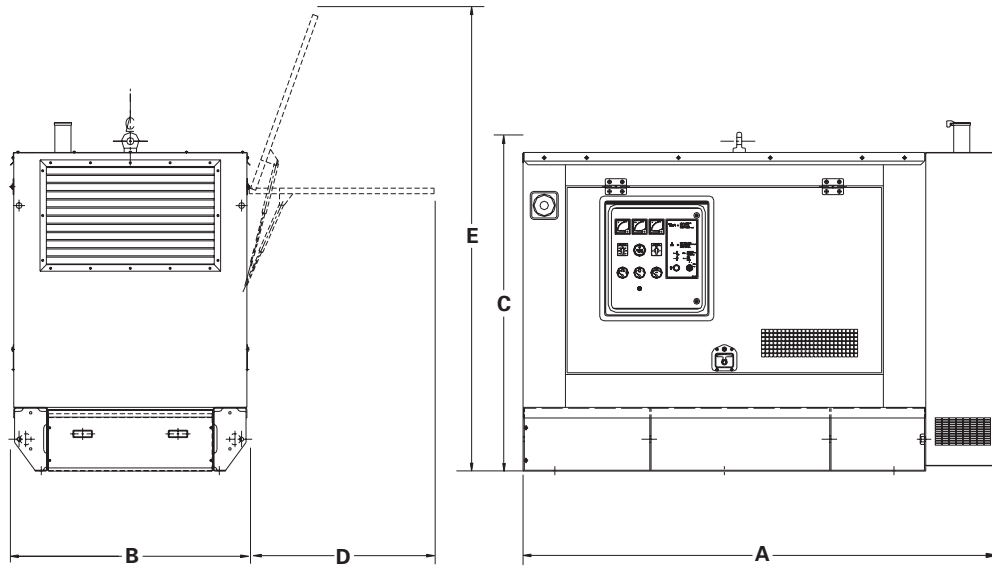
Exclusively from your Caterpillar® dealer

SOUND PRESSURE LEVELS (dBA)

Generating Set Model	Duty	50 Hz						60 Hz					
		15 m		7 m		1 m		15 m		7 m		1 m	
		75% Load	100% Load	75% Load	100% Load	75% Load	100% Load	75% Load	100% Load	75% Load	100% Load	75% Load	100% Load
GEP30-1	Prime	61.4	62.2	67.4	68.2	78.7	79.6	63.1	63.9	69.1	69.9	80.3	81.3
	Standby	61.7	62.7	67.7	68.7	79.0	80.0	63.4	64.4	69.4	70.4	80.7	81.9
GEP30-2	Prime	60.8	63.1	66.8	69.1	77.9	80.6	-	-	-	-	-	-
	Standby	61.5	64.3	67.5	70.3	78.7	82.1	-	-	-	-	-	-
GEP33-1	Prime	61.7	62.7	67.7	68.7	79.0	80.0	63.4	64.3	69.4	70.3	80.6	81.9
	Standby	61.9	63.1	67.9	69.1	79.3	80.5	63.7	64.8	69.7	70.8	81.0	82.5
GEP33-2	Prime	61.5	64.3	67.5	70.3	78.7	82.1	-	-	-	-	-	-
	Standby	62.2	65.7	68.2	71.7	79.6	83.7	-	-	-	-	-	-
GEP44-2	Prime	60.1	60.8	66.1	66.8	77.0	77.5	-	-	-	-	-	-
	Standby	60.3	61.2	66.3	67.2	77.2	77.7	-	-	-	-	-	-
GEP44-5	Prime	63.7	63.6	69.7	69.6	79.8	79.7	66.1	66.3	72.1	72.3	81.9	82.1
	Standby	63.7	63.4	69.7	69.4	79.8	79.6	66.2	66.4	72.2	72.4	82.0	82.1
GEP50-2	Prime	60.3	61.4	66.3	67.4	77.2	77.7	-	-	-	-	-	-
	Standby	60.6	62.0	66.6	68.0	77.4	78.0	-	-	-	-	-	-
GEP50-5	Prime	63.7	63.4	69.7	69.4	79.8	79.6	66.2	66.4	72.2	72.4	82.0	82.1
	Standby	63.6	63.2	69.6	69.2	79.7	79.4	66.3	66.5	72.3	72.5	82.0	82.2
GEP55-1	Prime	63.9	64.6	69.9	70.6	80.9	81.5	66.9	67.3	72.9	73.3	83.5	83.9
	Standby	64.1	64.9	70.1	70.9	81.0	81.8	67.0	67.4	73.0	73.4	83.6	84.1
GEP55-2	Prime	60.5	60.6	66.5	66.6	77.5	77.6	-	-	-	-	-	-
	Standby	60.5	60.8	66.5	66.8	77.5	77.7	-	-	-	-	-	-
GEP65-2	Prime	60.5	60.9	66.5	66.9	77.5	77.7	-	-	-	-	-	-
	Standby	60.6	61.1	66.6	67.1	77.6	77.8	-	-	-	-	-	-
GEP65-5	Prime	64.3	65.2	70.3	71.2	81.2	82.1	67.1	67.6	73.1	73.6	83.8	84.3
	Standby	64.5	65.6	70.5	71.6	81.4	82.4	67.2	67.8	73.2	73.8	83.9	84.5
GEP88-1	Prime	63.4	64.5	69.4	70.5	80.0	81.4	66.7	68.2	72.7	74.2	83.0	84.8
	Standby	63.6	65.1	69.6	71.1	80.4	82.1	67.1	69.0	73.1	75.0	83.5	85.8
GEP88-2	Prime	62.6	63.1	68.6	69.1	79.8	80.1	-	-	-	-	-	-
	Standby	62.7	63.3	68.7	69.3	79.9	80.3	-	-	-	-	-	-
GEP110-2	Prime	63.0	63.7	69.0	69.7	80.0	80.7	64.8	66.8	70.8	72.8	81.9	83.9
	Standby	63.2	64.1	69.2	70.1	80.2	81.0	65.3	68.1	71.3	74.1	82.4	85.0
GEP150	Prime	62.6	63.1	68.6	69.1	80.0	80.1	66.6	67.1	72.6	73.1	84.2	84.7
	Standby	62.8	63.3	68.8	69.3	80.1	80.0	66.7	67.2	72.7	73.2	84.3	84.9
GEP150-2	Prime	62.8	63.0	68.8	69.0	79.5	80.0	65.0	66.1	71.0	72.1	82.8	83.5
	Standby	62.9	63.1	68.9	69.1	79.7	80.3	65.3	66.8	71.3	72.8	83.0	83.8
GEP165	Prime	62.8	63.5	68.8	69.5	79.8	80.6	-	-	-	-	-	-
	Standby	63.1	63.8	69.1	69.8	80.0	80.9	-	-	-	-	-	-
GEP165-2	Prime	62.9	63.1	68.9	69.1	79.7	80.3	65.3	66.8	71.3	72.8	83.0	83.8
	Standby	62.9	63.2	68.9	69.2	79.8	80.6	65.7	67.5	71.7	73.5	83.2	84.2
GEP200-2	Prime	60.3	61.1	66.3	67.1	78.0	78.9	67.8	68.3	73.8	74.3	84.7	85.0
	Standby	60.6	61.5	66.6	67.5	78.3	79.4	69.7	68.5	73.9	74.5	84.8	85.2

Levels in accordance with European Noise Directive (2000/14/EC)

Exclusively from your Caterpillar® dealer



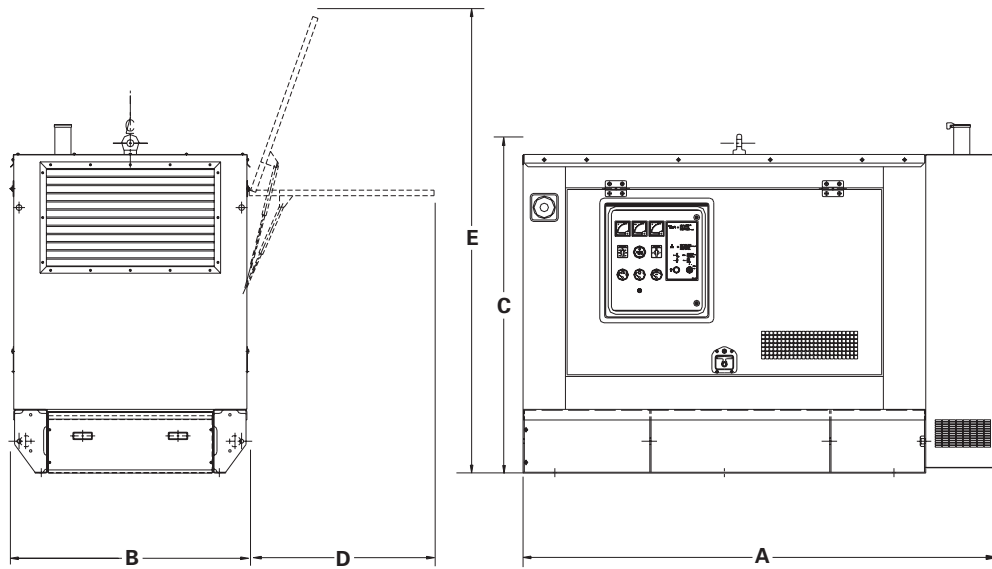
DIMENSIONS AND WEIGHTS

Generating Set Model	A: mm (in)	B: mm (in)	C: mm (in)	D*: mm (in)	E: mm (in)	Fuel Capacity: l (US gal)	Weight: kg (lb)
GEP30-1	2097 (82.6)	950 (37.4)	1565 (61.6)	885 (34.8)	2010 (79.1)	230 (61.0)	1104 (2434)
GEP30-2	2097 (82.6)	950 (37.4)	1565 (61.6)	885 (34.8)	2010 (79.1)	230 (61.0)	1104 (2434)
GEP33-1	2097 (82.6)	950 (37.4)	1565 (61.6)	885 (34.8)	2010 (79.1)	230 (61.0)	1114 (2456)
GEP33-2	2097 (82.6)	950 (37.4)	1565 (61.6)	885 (34.8)	2010 (79.1)	230 (61.0)	1114 (2456)
GEP44-2	2275 (89.6)	1100 (43.3)	1614 (63.5)	885 (34.8)	2080 (81.9)	245 (65.0)	1245 (2745)
GEP44-5	2275 (89.6)	1100 (43.3)	1614 (63.5)	885 (34.8)	2080 (81.9)	245 (65.0)	1245 (2745)
GEP50-2	2275 (89.6)	1100 (43.3)	1614 (63.5)	885 (34.8)	2080 (81.9)	245 (65.0)	1245 (2745)
GEP50-5	2275 (89.6)	1100 (43.3)	1614 (63.5)	885 (34.8)	2080 (81.9)	245 (65.0)	1245 (2745)
GEP55-1	2275 (89.6)	1100 (43.3)	1614 (63.5)	885 (34.8)	2080 (81.9)	245 (65.0)	1265 (2789)
GEP55-2	2275 (89.6)	1100 (43.3)	1614 (63.5)	885 (34.8)	2080 (81.9)	245 (65.0)	1325 (2917)
GEP65-5	2275 (89.6)	1100 (43.3)	1614 (63.5)	885 (34.8)	2080 (81.9)	245 (65.0)	1315 (2899)
GEP65-2	2275 (89.6)	1100 (43.3)	1614 (63.5)	885 (34.8)	2080 (81.9)	245 (65.0)	1373 (3027)
GEP88-1	2275 (89.6)	1100 (43.3)	1614 (63.5)	885 (34.8)	2080 (81.9)	245 (65.0)	1435 (3164)
GEP88-2	2805 (110.4)	1100 (43.3)	1635 (64.4)	885 (34.8)	2030 (79.9)	300 (79.0)	1532 (3377)
GEP110-2	2805 (110.4)	1100 (43.3)	1635 (64.4)	885 (34.8)	2030 (79.9)	300 (79.0)	1560 (3439)
GEP150	3525 (138.8)	1100 (43.3)	1636 (64.6)	885 (34.8)	2058 (81.0)	375 (99.0)	1970 (4343)
GEP150-2	3525 (138.8)	1100 (43.3)	1828 (72.0)	857 (33.7)	N/A*	332 (88.0)	2118 (4669)
GEP165	3525 (138.8)	1100 (43.3)	1828 (72.0)	885 (34.8)	2100 (82.7)	375 (99.0)	1975 (4354)
GEP165-2	3525 (138.8)	1100 (43.3)	1828 (72.0)	857 (33.7)	N/A*	332 (88.0)	2173 (4791)

Net weight with lube oil, no fuel.

*Side opening doors

Exclusively from your Caterpillar® dealer



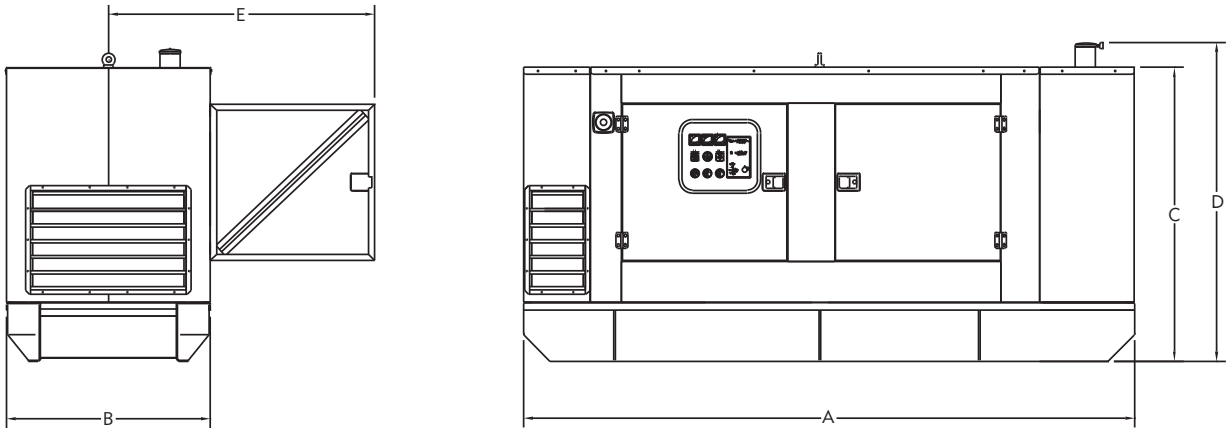
DIMENSIONS AND WEIGHTS

Generating Set Model	A: mm (in)	B: mm (in)	C: mm (in)	D*: mm (in)	E: mm (in)	Fuel Capacity: l (US gal)	Weight: kg (lb)
GEP26SP1	2097 (82.6)	950 (37.4)	1565 (61.6)	885 (34.8)	2010 (79.1)	230 (61.0)	1114 (2456)
GEP26SP2	2097 (82.6)	950 (37.4)	1565 (61.6)	885 (34.8)	2010 (79.1)	230 (61.0)	1114 (2456)
GEP35SP2	2275 (89.6)	1100 (43.3)	1614 (63.5)	885 (34.8)	2080 (81.9)	245 (65.0)	1315 (2899)
GEP35SP5	2275 (89.6)	1100 (43.3)	1614 (63.5)	885 (34.8)	2080 (81.9)	245 (65.0)	1315 (2899)
GEP44SP1	2275 (89.6)	1100 (43.3)	1614 (63.5)	885 (34.8)	2080 (81.9)	245 (65.0)	1315 (2899)
GEP44SP2	2275 (89.6)	1100 (43.3)	1614 (63.5)	885 (34.8)	2080 (81.9)	245 (65.0)	1373 (3027)
GEP50SP2	2275 (89.6)	1100 (43.3)	1614 (63.5)	885 (34.8)	2080 (81.9)	245 (65.0)	1413 (3115)
GEP50SP5	2275 (89.6)	1100 (43.3)	1614 (63.5)	885 (34.8)	2080 (81.9)	245 (65.0)	1355 (2987)
GEP64SP1	2275 (89.6)	1100 (43.3)	1614 (63.5)	885 (34.8)	2080 (81.9)	245 (65.0)	1478 (3258)
GEP64SP2	2805 (110.4)	1100 (43.3)	1635 (64.4)	885 (34.8)	2030 (79.9)	300 (79.2)	1560 (3439)
GEP80SP2	2805 (110.4)	1100 (43.3)	1635 (64.4)	885 (34.8)	2030 (79.9)	300 (79.2)	1685 (1375)
GEP105SP1	3900 (153.5)	1300 (51.2)	1996 (78.6)	1050 (41.3)	N/A*	550 (145)	2411 (5315)

Net weight with lube oil, no fuel.

*Side opening doors

Exclusively from your Caterpillar® dealer



DIMENSIONS AND WEIGHTS

Generating Set Model	A: mm (in)	B: mm (in)	C: mm (in)	D: mm (in)	E: mm (in)	Fuel Capacity: l (US gal)	Weight: kg (lb)
GEP200-2	3894 (153.3)	1300 (51.2)	1875 (73.8)	1996 (78.6)	1050 (41.3)	491 (130)	2704 (5961)

Net weight with lube oil, no coolant, no fuel.